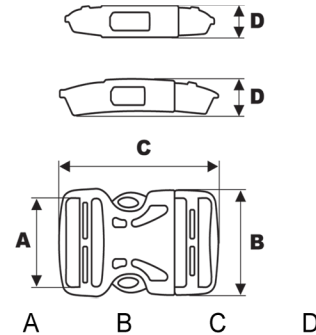
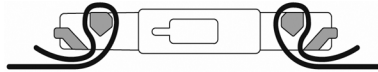


# Airloc SR Dual

The functional equivalent of the World Side Release Buckle with removal of non-essential surface material to provide a lighter appearance. The Airloc SR Body mates with the World Side Release Latch. The Airloc Side Release buckle features a center support rib for crush resistance and a reduction in overall length. The Dual offers adjustment from both sides of the part.



Airloc SR 20 Dual (shown w/Latch 520-1100)

Material	Color	A	B	C	D	
520-2100	A, N1	B	20.4	26.0	52.0	9.6

Airloc SR 25 Dual (shown w/Latch 525-1100)

525-2100	A, N1	B	26.0	33.0	60.0	12.0
----------	-------	---	------	------	------	------

Airloc SR 40 Dual (shown w/Latch 540-1100)

540-2100	A, N1	B	39.5	46.5	76.5	14.5
----------	-------	---	------	------	------	------

Airloc SR 50 Dual (shown w/Latch 550-1100)

550-2100	A, N1	B	51.3	58.5	84.0	18.0
----------	-------	---	------	------	------	------